

quattro

SUN BOSS BETTER
BY
DESIGN



NEXT GENERATION
BLACKOUT CASSETTE SYSTEM

With the **SunBoss** cassette you no longer need to compromise when it comes to blackout blinds – on style, appearance, performance or flexibility.

The **SunBoss** cassette has been designed for superior performance, with stylish, minimalist lines. Like all products in the **SunBoss** system, it is modular by design, offering more options and benefits for users and installers.

VERSATILITY FOR INSTALLERS AND USERS

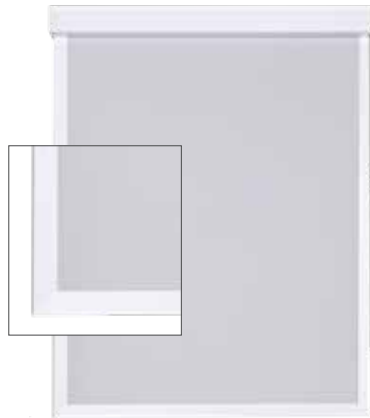
- Use as cassette only or cassette plus side channels.
- Bracket or direct mounting options.
- Chain, chainless or motorised (AC or DC) operation.
- Centre link brackets provide more installation options.
- Spring Assisted, incl ZeroGravity.

DESIGNED FOR TODAY

- Stylish, modern square-lined shape.
- Metal end covers are perfectly matched to the finish off the headbox and side channel profiles.
- Specially formulated, customised colours-
matte white, matte black and 20 micron clear anodised.
- Mill finish available for custom colours.

100% LIGHT BLOCKING

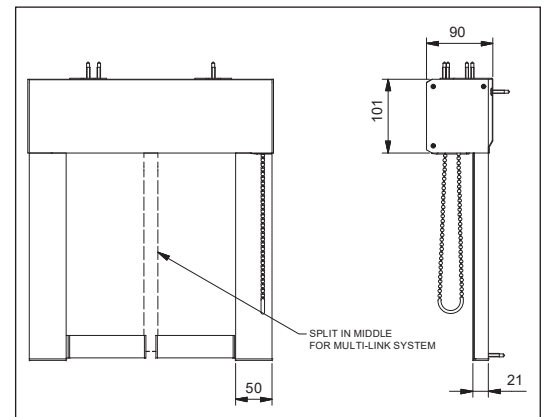
While the standard cassette layout uses a conventional flat base rail and side channels, there is a second configuration easily achieved that uses the same side channels to form a bottom channel, making the cassette system 360 degree wrap-around and fully light blocking. A patented corner block seamlessly joins the sections at the bottom corners to create a perfect connection.



Wrap around version side channel design, 100% light blocking.



Chain, chainless or motorised (AC or DC) operation.



Key dimensions

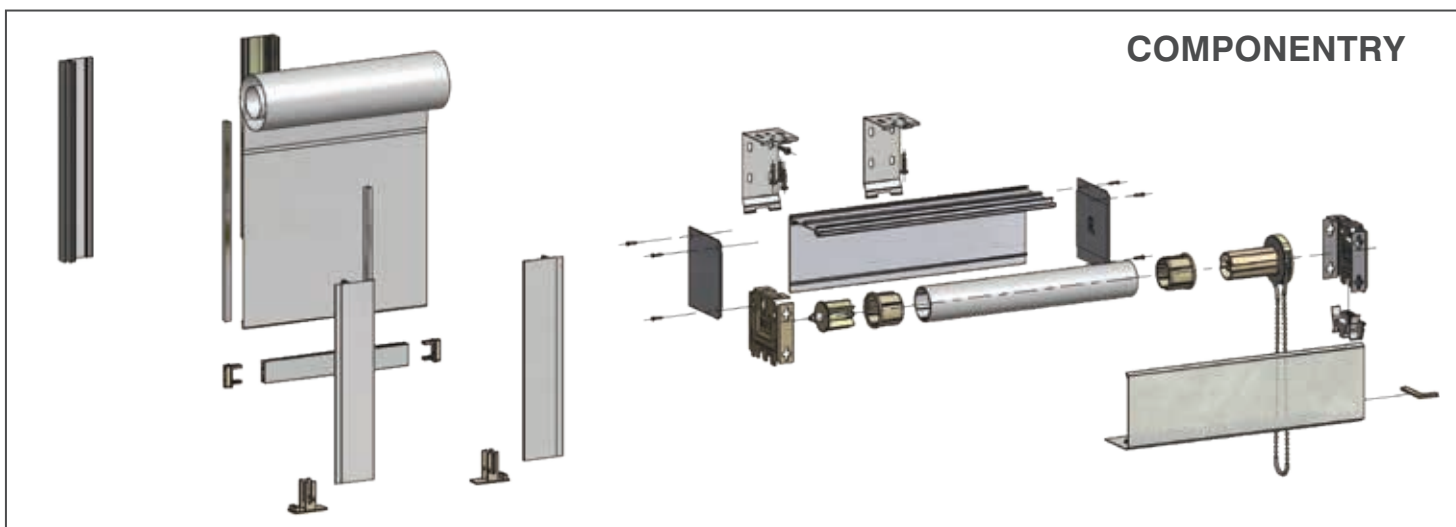
With the SunBoss cassette you no longer need to compromise when it comes to blackout blinds – on style, appearance, performance or flexibility.

BETTER BY DESIGN

- Closure problems caused by excessive powder coat build-up are a thing of the past. The unique clasp design between the front and rear cassette profiles ensures ease of assembly no matter how much powder coat has been applied, even if sections have been double coated for colour change.
- Like all SunBoss bracket systems, a centre bracket is available for the cassette, allowing dependent or independent linked blinds to be readily installed inside the single cassette box – no joins, less light entry and easier installation.



Independent linked blinds with single headbox.



SUN BOSS BETTER
BY
DESIGN

With the **SunBoss** cassette you no longer need to compromise when it comes to blackout blinds – on style, appearance, performance or flexibility.

If you have windows bordered by uneven surfaces like brick walls, it can be difficult to fill in the light gaps with a traditional cassette - often putty needs to be used, which ruins the aesthetics of the window. The **SunBoss** cassette has an overlapping function just for this situation - the side channels extend by 10mm to hide the fillers and beautify the installation.



WITHOUT EXTENSION

The light gaps need to be filled with putty, giving an uneven, messy finish.



WITH EXTENSION

The **SunBoss** cassette extends over the filler for a clean, stylish look.



World class fully-featured systems
designed in Australia.

Quattro Shading

P: (03) 9876 0400 F: (03) 9720 2746

Email: info@quattroshading.com.au

www.quattroshading.com.au